

# LEDWPCA12W

## ADJUSTABLE FULL CUTOFF LED AREA LIGHT



### STANDARD



The LEDWPCA series is a contemporary, commercial-grade area luminaire. It features a heavy-duty, spring-loaded hinge, which provides the flexibility of focusing light near the mounting surface or projecting light forward. With a die cast aluminum housing and a polycarbonate lens, the LEDWPCA series will stand up to many years of punishing environmental conditions. High-efficacy, long-life LEDs provide both energy and maintenance cost savings compared to traditional, HID area lights.

### FEATURES

- Available in 3000k (warm white), 4000k (neutral white) and 5000k (cool white) color temperatures.\*
- Long-life LEDs provide 69,000 hours of operation with at least 70% of initial lumen output (L<sub>70</sub>).\*\*
- Delivers 1,211 lumens & 101 lumens per watt (LPW) at 3000k; 1,285 lumens & 107 LPW at 4000k; and 1,321 lumens & 110 LPW at 5000k.\*
- Heavy-duty, spring-loaded hinge provides the flexibility of focusing light near the mounting surface or projecting light forward.
- Universal 120-277 AC voltage (50-60Hz) is standard.
- Watertight, compression-type electrical connectors prevent moisture intrusion.
- Power factor > 0.90.
- Total harmonic distortion < 20%.
- Color rendering index > 80.
- Die cast aluminum housing with durable, dark bronze, powder coat paint.
- Durable, UV-resistant polycarbonate lens.
- Removable, threaded plugs for side attachment of ½" rigid electrical conduit, or for button photocells.
- Easy installation in new construction or retrofit.

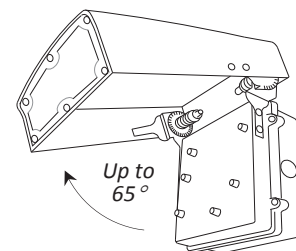
\* Contact factory for other color temperatures and lumen packages.  
\*\* L<sub>70</sub> hours are IES TM-21-11 calculated hours.

### WARRANTY & LISTINGS

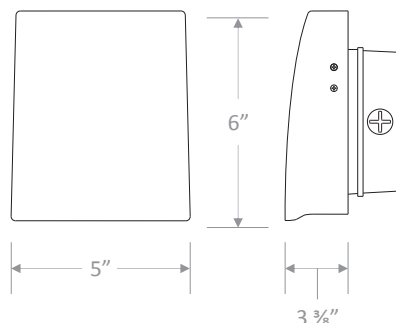
- cULus listed for wet locations (-20°C to 40°C / -4°F to 104°F).
- IP65 rated.
- DLC standard approved.
- Complies with FCC Part 15 class B.
- Complies with EN61000-4-5, surge immunity (1kV).
- 5-year warranty on all electronics and housing.

### VERTICAL ADJUSTABILITY

- Heavy-duty, spring-loaded hinge provides vertical adjustability of the luminaire housing up to 65°.
- Adjustability provides for a range of lighting effects from full-cutoff downlight to forward throw.
- Knurled notches securely retain rotated position even in demanding environments.



### DIMENSIONS



Weight: 2.4 lb.

### ORDERING INFORMATION

Model	Color Temperature	Luminaire Lumens	Luminaire Watts	Lumens Per Watt
LEDWPCA12W-3K	3000k	1,211	12	101
LEDWPCA12W-4K	4000k	1,285	12	107
LEDWPCA12W-5K	5000k	1,321	12	110

LIGHTING SUPPLY COMPANY • 800.544.2852

FERNDAL: 10651 Northend Avenue, Ferndale, MI 48220 | WIXOM: 28525 Beck Road, Suite 115, Wixom, MI 48393 | Fax: 248.398.0012  
Tel: 800.544.2852 | Call Center Hours: M-F 7:00am-6:00pm EST | Counter Pick-up: M-F 7:30am-5:00pm EST

# LEDWPCA12W

## ADJUSTABLE FULL CUTOFF LED AREA LIGHT

### ELECTRICAL

Model	Color Temperature	CRI <sup>1</sup>	Luminaire Lumens	Luminaire Watts	Lumens Per Watt	Input Voltage <sup>2</sup>	Input Current (A)			Power Factor	THD <sup>3</sup>	L <sub>70</sub> Hours <sup>4</sup>
							120V	240V	277V			
LEDWPCA12W-3K	3000k	> 80	1,211	12	101	120-277	0.10	0.05	0.04	> 90%	< 20%	69,000
LEDWPCA12W-4K	4000k	> 80	1,285	12	107	120-277	0.10	0.05	0.04	> 90%	< 20%	69,000
LEDWPCA12W-5K	5000k	> 80	1,321	12	110	120-277	0.10	0.05	0.04	> 90%	< 20%	69,000

<sup>1</sup> Color rendering index.

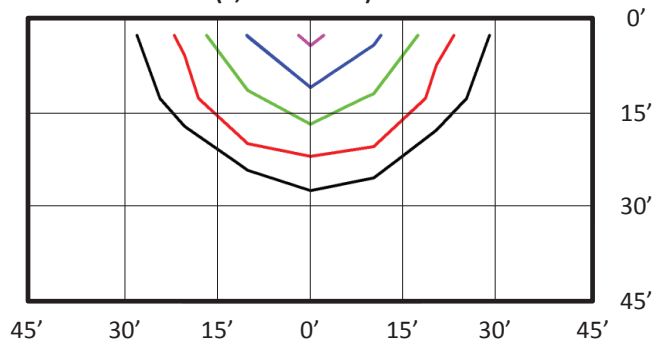
<sup>2</sup> All 50-60Hz.

<sup>3</sup> Total harmonic distortion.

<sup>4</sup> L<sub>70</sub> refers to the number of hours at which lumen output declines to 70% of the initial level. L<sub>70</sub> hours are IES TM-21-11 calculated hours.

### PHOTOMETRIC DATA

#### LEDWPCA12W-5K (1,321 Lumens)



Foot Candles
5.0
2.0
1.0
0.5
0.2
0.1

#### Notes:

- Isofootcandle plots depict initial footcandles at grade.
- Gridlines represent units of mounting height of 15 feet.

Luminaire Orientation:



#### BUG Rating: B1-U0-G0

Zone	Lumens	%
FL - Front - Low (0-30)	229	17%
FM - Front - Medium (30-60)	373	28%
FH - Front - High (60-80)	89	7%
FVH - Front - Very High (80-90)	4	0%
<b>Total Forward Light</b>	<b>696</b>	<b>53%</b>
BL - Back - Low (0-30)	212	16%
BM - Back - Medium (30-60)	322	24%
BH - Back - High (60-80)	82	6%
BVH - Back - Very High (80-90)	8	1%
<b>Total Back Light</b>	<b>625</b>	<b>47%</b>
UL - Up Light - Low (90-100)	0	0%
UH - Up Light - High (100-180)	0	0%
<b>Total Up Light</b>	<b>0</b>	<b>0%</b>
<b>Total Lumens</b>	<b>1,321</b>	<b>100%</b>